



## SIP Speaker Volume Controller

**KNJB-SIPSPVC01**

### Product Description:

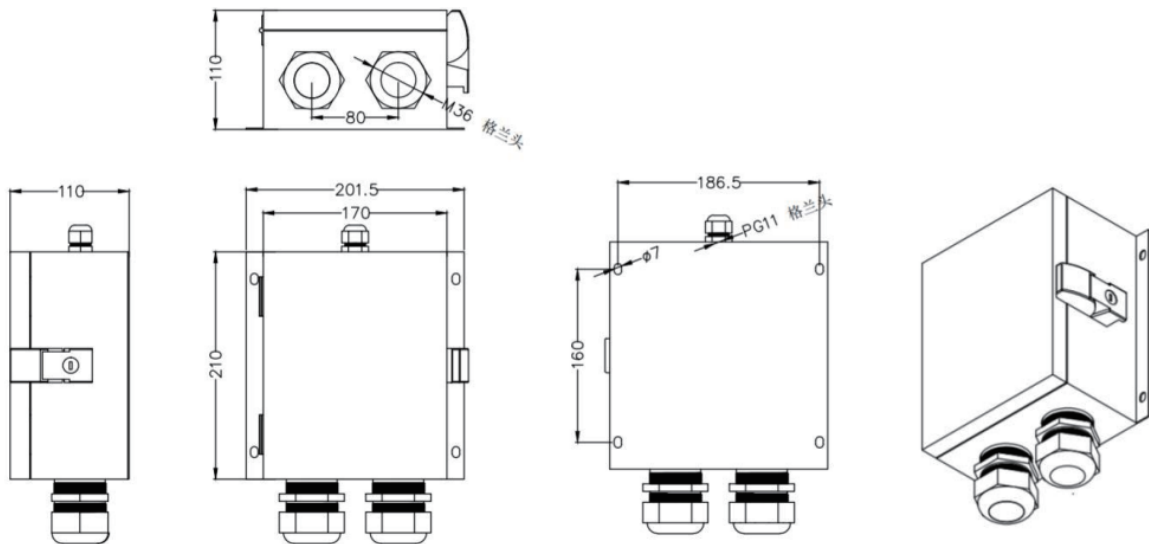
- The volume can be adjusted at will;
- Use high-quality materials;
- Sturdy and durable, elegant and beautiful;
- Easy and quick installation;
- The material is Cold rolled steel/stainless steel optional
- Support web page automatic upgrade, support web page to restore factory settings.
- The waterproof level of the whole machine is IP66.
- International CE/FCC/design standards.
- Outdoor/Indoor use, anti-radiation, anti-interference.
- Outdoor/Indoor use, high-strength lightning resistance 230-3000V.
- High-strength anti-impact current 8, 20US 2.5KA.
- Operating temperature: -25C - 75C.
- With door lock, safe and convenient for maintenance.
- POE power supply or AC230V/DC12V power supply optional.



## Parameter

1. VoIP SIP2.0
2. DTMF dialing
3. MTBF100000hours
4. MTTR: 2 hours
5. Auxiliary Contacts:1 Aux Output, dry contact
6. Rated load:0.3 A at 125 VAC; 1 A at 30 VDC
7. Contact Ratings. Load: Resistive load
8. Echo cancellation code:G.167/G.168
9. Rated carry current:1A
10. Max.switching current:1A
11. Max.switching voltage:125 VAC,60VDC
12. Audio Codes:G.711, G.722, G.729
13. IP Protocols:IPv4, TCP, UDP, TFTP, RTP, RTCP, DHCP, SIP
14. Call Control Signaling:VOIP SIP Info(DTMF), RFC 2833(DTMF)
15. Network:10/100 BaseTX Ethernet, RJ45 connectors, Cat5e or better
16. Power:Power over Ethernet, IEEE802.3af, Class 0 Local power, 12VDC,Idle 2W, Max 10W
17. Programming:Non-volatile flash memory programming and configuration through Web GUI
18. Management and Operation:DHCP and static IP, remote automatic software upgrade, centralized monitoring, status LED
19. LAN Protocols:Power over Ethernet(PoE,802.3af), WLAN(IEEE 802.3af), Network Access Control(IEEE 802.1x),STP(IEEE 802.1d), RSTP(IEEE 802.1d-2004)

## Parameter



Measure unit:mm

Web: [www.koontech.com](http://www.koontech.com)

Email: [marketing@koontech.com](mailto:marketing@koontech.com)

Tel: (HK Office) +852 9068 2799 / (Shenzhen Office) +86 755 2744 8753

Shenzhen Office: T3 1001, Yifang Center, Baoan, Shezhen, China

HK Office: Unit C, 2/F, Ka To Factory Building, 2 Cheung Yue Street, Cheung Sha Wan, Kowloon, Hong Kong

Factory: KNTech Building. Phoenix Mountain, Limhai Zone, Shajiao Community, Humen, Dongguan, China